

For Immediate Release: April 2026

RC10T84 Team Kit

#90057

1:10 Scale 4WD Electric Off Road Competition Truck Kit



ELECTRIC ▪ 1:10 SCALE ▪ 4 WHEEL DRIVE ▪ OFF ROAD ▪ KIT

The Team Associated RC10T84 Team Kit is Engineered for Victory!

Unleash unparalleled performance with the RC10T84 Team Kit, a 1/10-scale 4WD truck engineered for precision, speed, and racetrack victories. Designed with cutting-edge features, this competition machine delivers superior handling and control.

Its molded height-adjustable gearboxes ensure optimized drivetrain efficiency. The truck specific gull wing long-arm suspension geometry enhances grip and predictability, while the optimized steering bellcranks and rack provide exceptional bump steer control, keeping your lines tight at every corner.

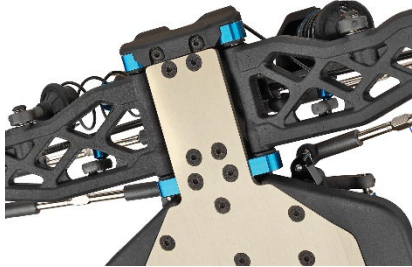
Fine-tune your setup with chassis bracing adjustments, giving you the flexibility to adapt to each track you race on. The RC10T84 Team Kit allows for precise weight distribution and chassis balance, letting you push the limits with confidence.

Enhanced aerodynamics come standard with an all new truck specific low-profile body paired with adjustable rear wing mount heights. The RC10T84 Team Kit is finished with shock tower covers, 3.5mm turnbuckles and ballcaps, and 13mm big-bore shocks, providing the ultimate blend of strength, precision, and performance.



The RC10T84 Team Kit is your key to placing on top of the podium!

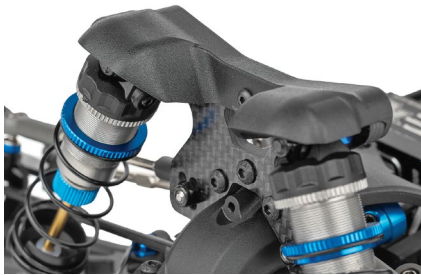
RC10 T84 TEAM KIT



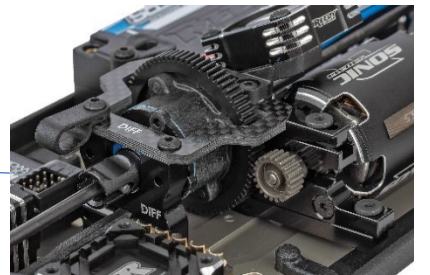
Wide Tongue Chassis for Improved Durability



Truck Specific Gull Wing Long Arm Suspension



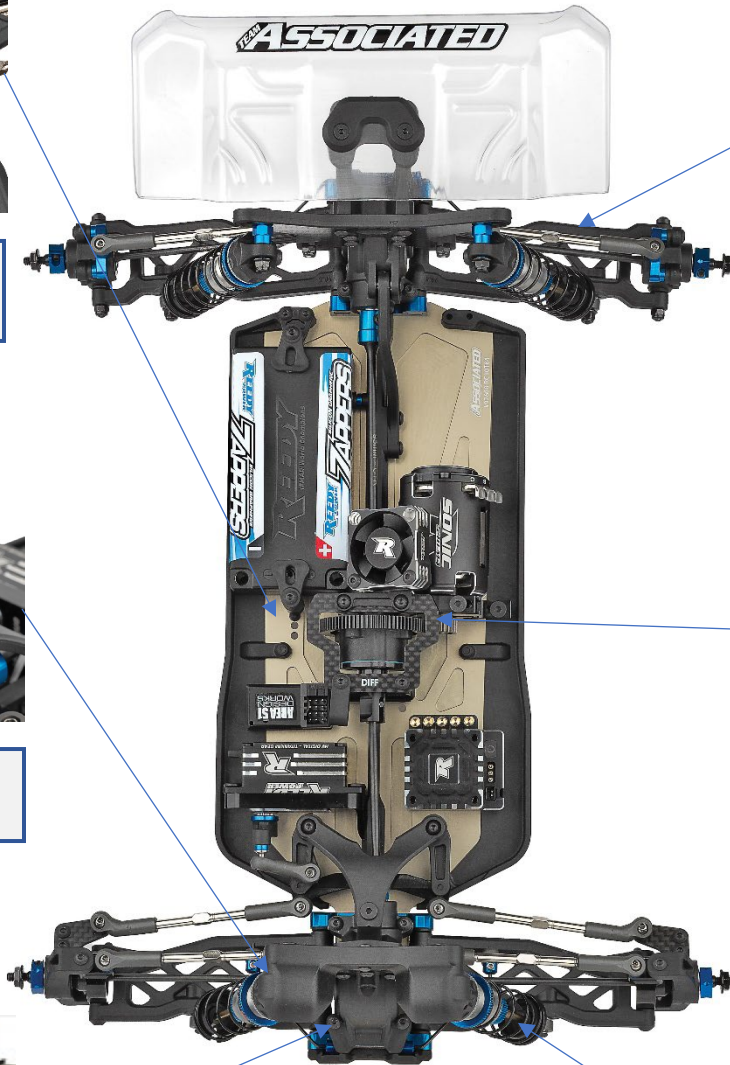
Molded Shock Tower Covers



Center Differential



Molded Front Bumper



25mm and 31mm Length 13mm Big-bore Shock Bodies

FEATURES

- New Truck Specific Gull Wing Long Arm Suspension
- New Truck Specific Body
- 25mm and 31mm Length 13mm Big-bore Shock Bodies
- TiN gold 3x24mm and 3x29mm Shock Shafts
- Molded Shock Tower Covers Front and Rear
- New Wide Tongue Chassis for Improved Durability
- New Wide A and B Mounts
- New Molded Front Bumper with Optional Bumper That Covers Anti-roll Bar Mounts
- Longer Front CVA Axle For Truck Specific Wheels
- Center Differential Included



Items required for operation:

Motor, battery, ESC, servo, receiver, paint, tires and radio. Assembly and painting required

SPECS

Scale	1:10
Type	Off Road
Power	Electric
Length	Varies*
Width	Varies*
Weight	Varies*
Wheelbase	Varies*
Internal Gear Ratio	2.50:1
Drive:	4WD
Chassis:	Varies*
Suspension:	Independent Front and Rear

*Final width, length and weight will vary based on electronics, tire configuration, wing position and vehicle setup.

Recommended Electronics:



- **Battery** (#27617 Zappers SG7 6600mAh 100C 7.6V Shorty)
- **Motor** (#27444 Reedy Sonic 540-M4 Motor 6.5)
- **ESC** (#27016 Blackbox 610R Competition ESC)
- **Servo** (#27172 Reedy RT2007HD Low-Profile Brushless Hi-Torque Servo)

Other Helpful Items:

- Silicone Shock Fluid (Refer to catalog for complete listings)
- Silicone Diff Fluid (Refer to catalog for complete listings)
- Body Scissors (AE Part # 1737)
- Reamer (AE Part #1499) / Hole Punch
- FT Wrench Set (AE Part #1519)
- Hobby Knife
- Needle Nose Pliers
- FT Shock Shaft Multi-Tool Pliers (AE Part #1681)
- Wire Cutters
- Soldering Iron
- Calipers or a Precision Ruler

CATALOG INFORMATION

UPC	Part No.	Description	MSRP	MAP	Pieces Per Case	Origin	Available
784695900578	90057	RC10T84 Team Kit	\$970.99	\$659.99	6	TW	April

Download all zipped photos here: <https://rc10.com/RC10T84Images/> (15.2MB) Link is active for 30 days.

Please refer to our MAP Policy here: <https://img2c.associatedelectrics.com/pdf/map-policy.pdf>



21062 Bake Pkwy
Lake Forest CA 92630
www.AssociatedElectrics.com

