

For Immediate Release: May 2026

RC8B4.2e Team Kit

#80955

1:8 Scale 4WD Electric Off Road Competition Buggy Kit



ELECTRIC ▪ 1:8 SCALE ▪ 4 WHEEL DRIVE ▪ OFF ROAD ▪ KIT

PUSHING THE BOUNDARIES

1:8 scale off road racing is one of the hobby's most challenging disciplines; it requires a high standard and demands attention to detail.

The latest development to come from Associated Electrics' Area 51 is designed to push boundaries of performance and build upon the number of accolades accumulated by the RC8 series.



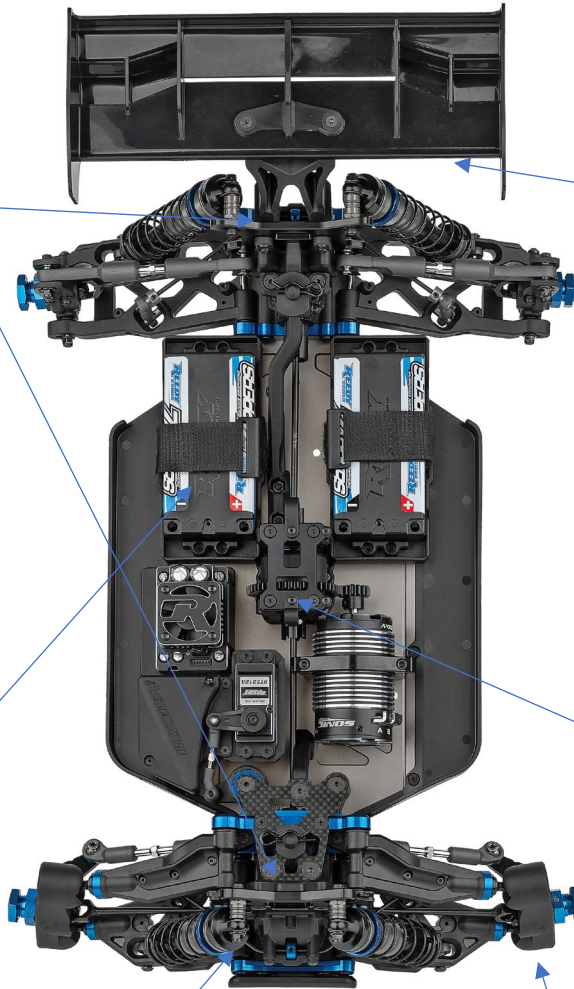
RC8 B4.2e TEAM KIT



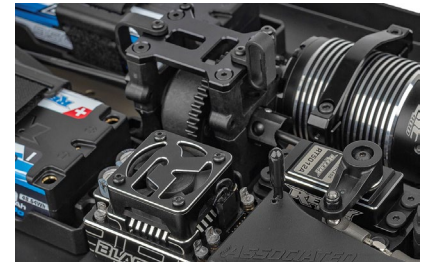
New molded height-adjustable gearboxes front and rear



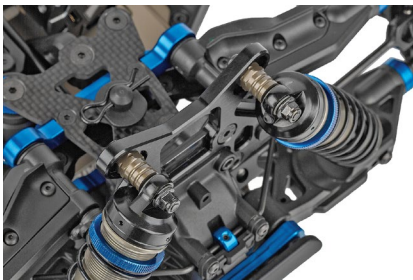
New high-downforce wing



Adjustable battery tray design with hook and loop strap for retaining batteries



New high-volume center differential



FT hard-anodized aluminum shock bushings



Soft blend material suspension arms

Due to ongoing R&D, photos may not match final kit. Vehicle shown on these pages equipped with items NOT included in kit: Electric motor, speed control, transponder, servos, receiver, wheels, and tires. Assembly and painting required.

FEATURES

- New molded height-adjustable gearboxes front and rear
- New offset hubs and updated rear suspension arms to accommodate new hub geometry
- New high-volume center differential
- New high-downforce wing
- Now includes FT hard-anodized aluminum shock bushings
- RWB/FWB adjustable weight bias chassis
- Soft blend material suspension arms
- 8-degree KPI steering blocks included
- 44/13 ring and pinion gear sets
- 92mm universal driveshafts with 17mm outdrives
- Both 19mm and 20mm diameter HTC internal differential gear sets included
- 47T machined steel spur gear included
- Centralized drivetrain and chassis configuration optimized for shorty-style batteries
- Adjustable battery tray design with hook and loop strap



Items required for operation:

Motor, ESC, Batteries, Servo, Receiver, Paint, Tires and Radio. Assembly and painting required.

SPECS

Scale	1:1:8
Type	Off-road
Power	Electric
Length	486mm / 19.13in
Width	(w/body) 304.5mm / 11.99in
Weight	Varies*
Wheelbase	Varies*
Internal Gear Ratio	3.38:1
Drivetrain:	4WD
Chassis:	Machined Aluminum
Suspension:	Independent Front and Rear
Kit/RTR	Kit
Shock type	Threaded, Aluminum Shock Bodies
Body	Included: RC8B4 Mu
Ball bearings	26 Oiled Ball Bearings
Experience Level	Intermediate
Recommended Environment	Off-road Track

* Final width, length and weight will vary based on electronics, tire configuration, wing position and vehicle setup.

Recommended Electronics:



- **Servo** (#27168 Reedy RS4008A Hi-Speed HV Servo)
- **Battery** (#27619 Zappers SG7 7800mAh 140C 7.6V 1:8 Long-Shorty)
- **ESC** (#27043 Reedy Blackbox 880R Competition 1:8 ESC)
- **Motor** (#27509 SONIC 900 1900kV DE Competition 1:8 Motor)
- **Charger** (#27203 Reedy 1416-C2L Dual AC/DC Competition Balance Charger)
- **Accessories** (#27392 Grip Bullets 5mm x 14mm, silver, qty 2)

Other Helpful Items:

- Body Scissors (AE Part # 1737)
- FT Wrench Set (AE Part #1519)
- Hobby Knife
- Needle Nose Pliers
- Wire Cutters
- Soldering Iron
- Calipers or a Precision Ruler

CATALOG INFORMATION

UPC	Part No.	Description	MSRP	MAP	Pieces Per Case	Origin	Available
784695809550	80955	RC8B4.2e Team Kit	\$1024.99	\$679.99	4	TW	June

Download all zipped photos here: <https://www.rc10.com/RC8B42eImages/> (10.12MB) Link is active for 30 days.

Please refer to our MAP Policy here: <https://img2c.associatedelectrics.com/pdf/map-policy.pdf>