

For Immediate Release: May 2026

RC8B4.2 Team Kit

#80954

1:8 Scale 4WD Nitro Off Road Competition Buggy Kit



NITRO ▪ 1:8 SCALE ▪ 4 WHEEL DRIVE ▪ OFF ROAD ▪ KIT

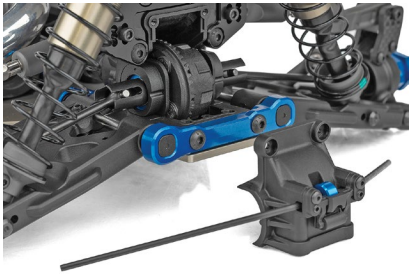
PUSHING THE BOUNDARIES

1:8 scale off road racing is one of the hobby's most challenging disciplines; it requires a high standard and demands attention to detail.

The latest development to come from Associated Electrics' Area 51 is designed to push boundaries of performance and build upon the number of accolades accumulated by the RC8 series.



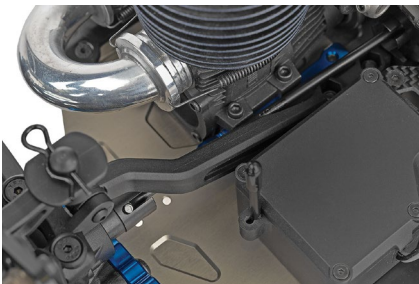
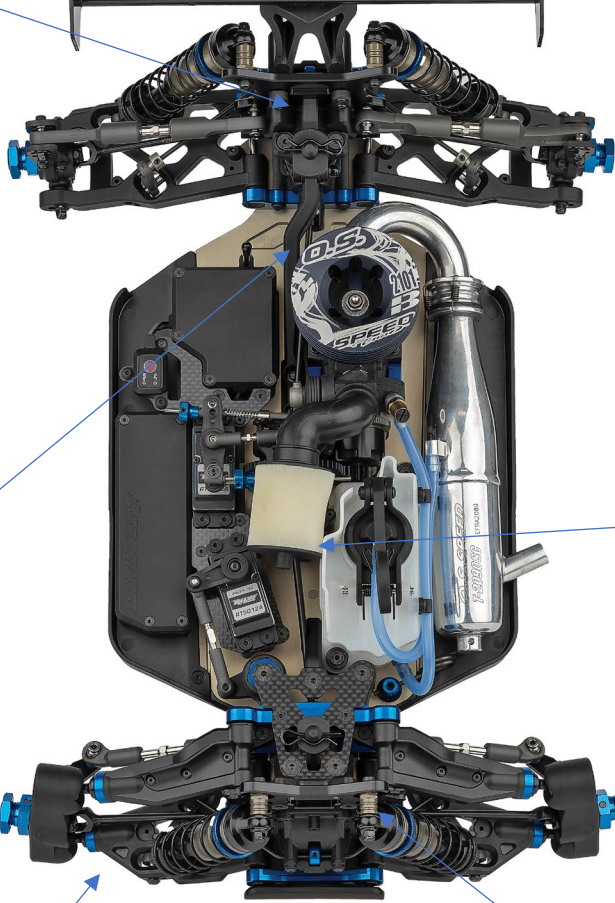
RC8 B4.2 TEAM KIT



New molded height-adjustable gearboxes front and rear



New high-downforce wing



New long chassis brace options



New high-volume center differential



Soft blend material suspension arms



FT hard-anodized aluminum shock bushings

Due to ongoing R&D, photos may not match final kit. Vehicle shown on these pages equipped with items NOT included in kit: engine, pipe and header, transponder, servos, receiver, wheels, tires. Assembly and painting required.

FEATURES

- New molded height-adjustable gearboxes front and rear
- New offset hubs and updated rear suspension arms to accommodate new hub geometry
- New -4mm chassis in FWB configuration
- New high-volume center differential
- New long chassis brace options
- New high-downforce wing
- Now includes FT hard-anodized aluminum shock bushings
- Updated brake pad material and brake spring
- Soft blend material suspension arms
- 8-degree KPI steering blocks included
- 44/13 ring and pinion gear sets
- 92mm universal driveshafts with 17mm outdrives
- 19mm diameter HTC internal differential gear set
- Optimized setup for tracks with loose dirt and large



Items required for operation:

Engine, Nitro Gas, Servo, Receiver, Paint, Tires and Radio. Assembly and painting required.

SPECS

Scale	1:1:8
Type	Off-road
Power	Nitro
Length	486mm / 19.13in
Width (with body)	304.5mm / 11.99in
Weight	Varies*
Wheelbase	Varies*
Internal Gear Ratio	3.38:1
Drivetrain	4WD
Chassis	Machined Aluminum
Suspension	Independent Front and Rear
Gear Pitch	MOD 1
Body	Included: RC8B4 Mu
Ball bearings	26 Oiled Ball Bearings
Experience Level	Intermediate
Recommended Environment:	Off-road Track

Recommended Electronics:



- **Servo** (#27168 REEDY RS4008A Hi-Speed HV Servo)
- **Battery** (#27313 Reedy LiPo Pro 2400mAh 7.4V TX/RX Battery, flat)
- **Charger** (#27203 Reedy 1416-C2L Dual AC/DC Competition Balance Charger)
- **Accessories** (#27035 Reedy Electronic Power Switch) (#27377 Reedy Glow Igniter, 3000mAh)

Other Helpful Items:

- Body Scissors (AE Part # 1737)
- FT Wrench Set (AE Part #1519)
- Hobby Knife
- Needle Nose Pliers
- Wire Cutters
- Soldering Iron
- Calipers or a Precision Ruler

CATALOG INFORMATION

UPC	Part No.	Description	MSRP	MAP	Pieces Per Case	Origin	Available
784695809543	80954	RC8B4.2 Team Kit	\$1089.99	\$719.99	4	TW	June

Download all zipped photos here: <https://www.rc10.com/RC8B42Images/> (12.54MB) Link is active for 30 days.

Please refer to our MAP Policy here: <https://img2c.associatedelectrics.com/pdf/map-policy.pdf>